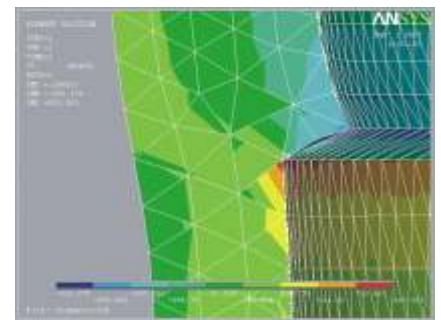
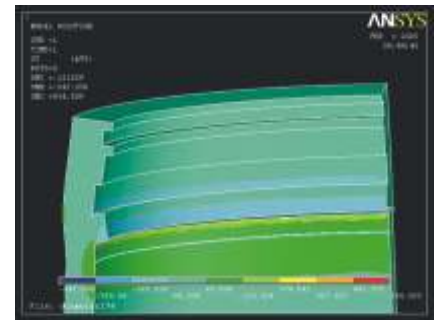


Cylinders

Features

- Seamless tubes with high tensile strength.
- Bigger diameter stage tubes for lower tipping pressure.
- All Stage tubes are hard chrome plated.
- Contact faces are machined from homogenous material for better strength.
- Durable Double lip polyurethane seals and wipers.
- Better Resistance to Side Loads.
- Bigger size trunion pins to withstand high bending and shear load.
- Toughness & Stiffness of cylinder is enhanced with best design parameters.



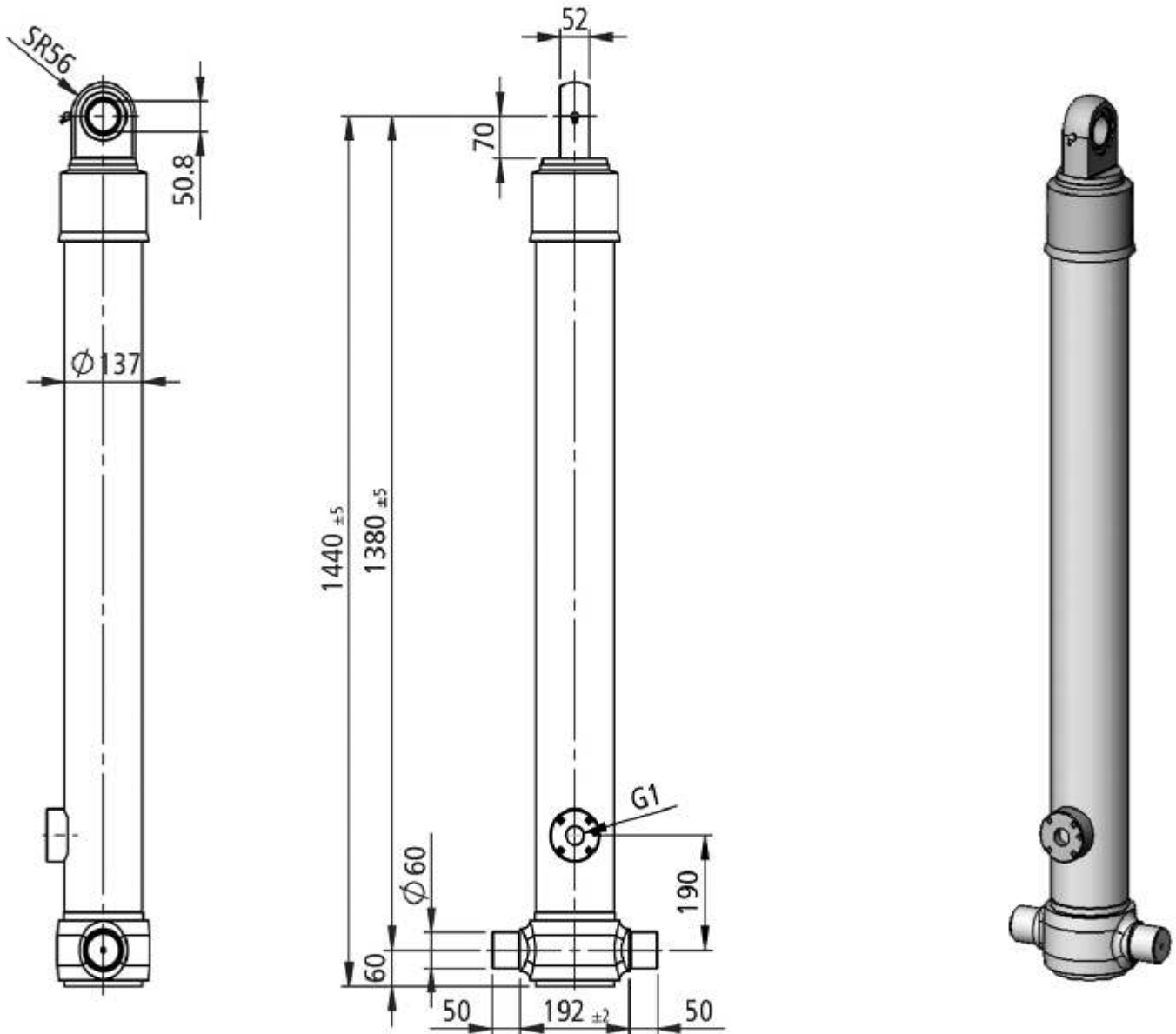
FE Cylinder



A New Horizon in Hydraulic Power

TECHNICAL SPECIFICATIONS

Part No: IFE116033215



Mounting dimension	1380 mm + 20 mm min pull out											Total stroke	3215 mm	Max pressure	200 bar	
Extension	1	2	3	-	-	-	-	-	-	-	-	Number of stages: 3				
Diameter (mm)	116	98	79	--	--	--	--	--	--	--	--					
Stroke (mm)	1064	1072	1079	--	--	--	--	--	--	--	--	Total: 3215 mm				
Thrust (kN)	211	151	98	--	--	--	--	--	--	--	--	Max thrust admitted: 110 kN				
Oil (L)	11.2	8.1	5.3	--	--	--	--	--	--	--	--	Total: 24.6 L				

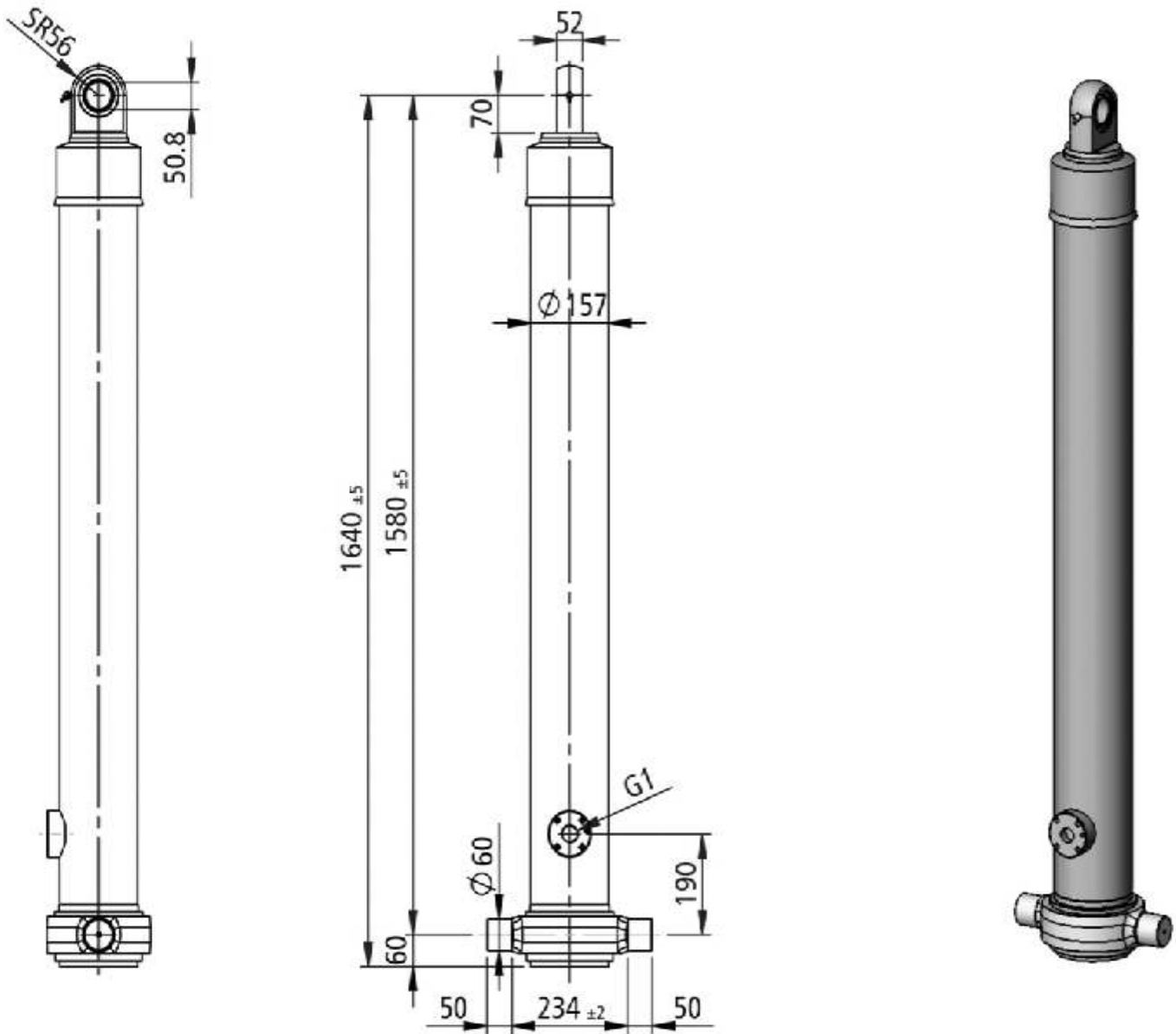
FE Cylinder



A New Horizon in Hydraulic Power

TECHNICAL SPECIFICATIONS

Part No: IFE135033792



Mounting dimension	1580 mm + 20 mm min pull out											Total stroke	3792 mm	Max pressure	200 bar	
Extension	1	2	3	-	-	-	-	-	-	-	-	-	-	-	Number of stages: 3	
Diameter (mm)	135	116	98	--	--	--	--	--	--	--	--	--	--	--		
Stroke (mm)	1258	1262	1272	--	--	--	--	--	--	--	--	--	--	--	Total: 3792 mm	
Thrust (kN)	286	211	151	--	--	--	--	--	--	--	--	--	--	--	Max thrust admitted: 157 kN	
Oil (L)	18	13.3	9.6	--	--	--	--	--	--	--	--	--	--	--	Total: 40.9 L	

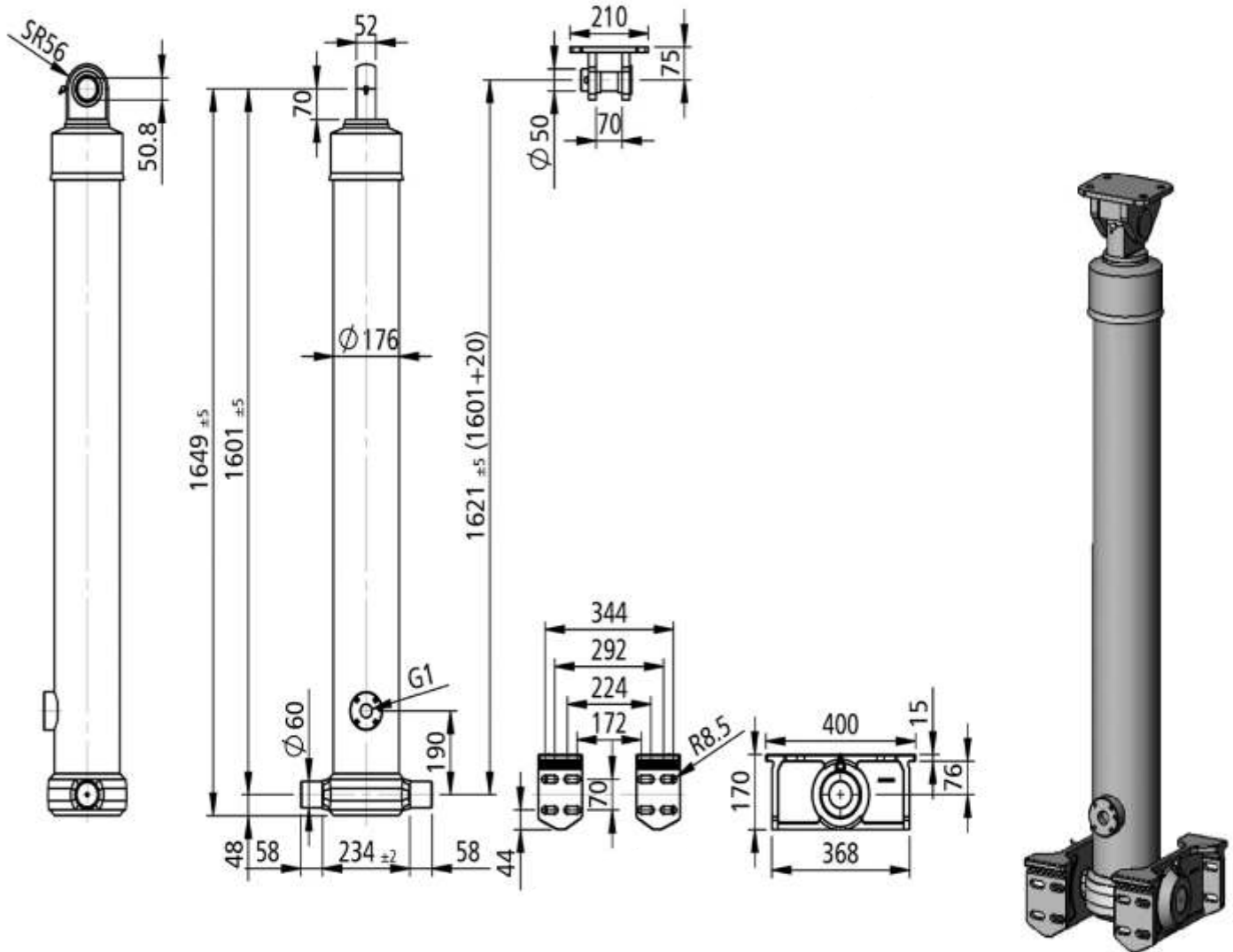
FE Cylinder



A New Horizon in Hydraulic Power

TECHNICAL SPECIFICATIONS

Part No: IFE154045034



Mounting dimension	1601 mm + 20 mm min pull out								Total stroke	5034 mm	Max pressure	200 bar
Extension	1	2	3	4	-	-	-	-	-	-	Number of stages: 4	
Diameter (mm)	154	135	116	98	--	--	--	--	--	--		
Stroke (mm)	1245	1255	1262	1272	--	--	--	--	--	--	Total: 5034 mm	
Thrust (kN)	373	286	211	151	--	--	--	--	--	--	Max thrust admitted: 181 kN	
Oil (L)	23.2	18	13.3	9.6	--	--	--	--	--	--	Total: 64.1 L	

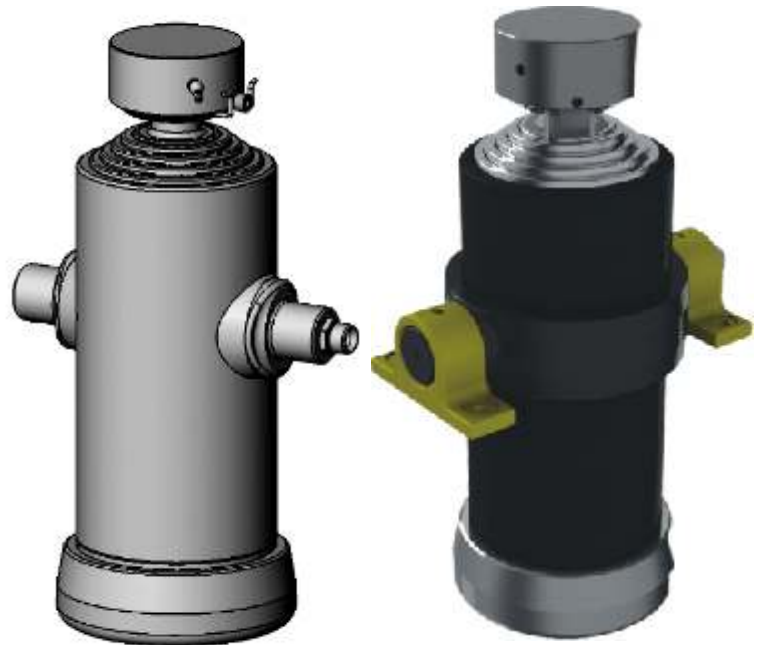
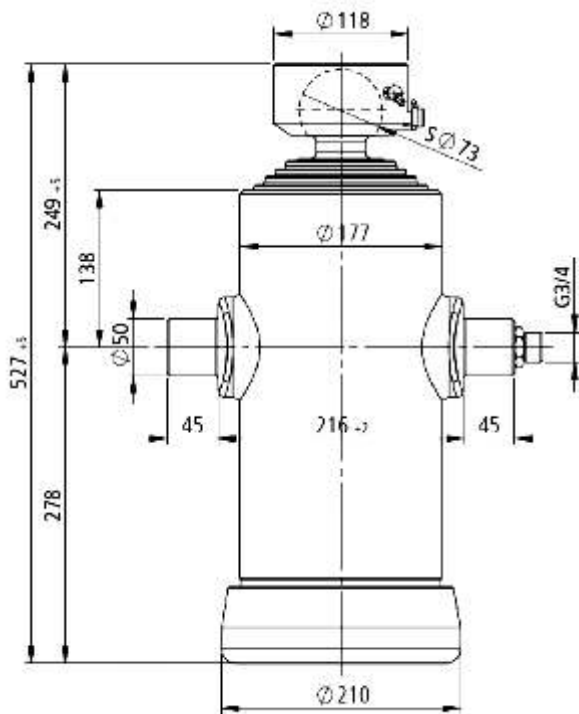
UB Cylinder



A New Horizon in Hydraulic Power

TECHNICAL SPECIFICATIONS

Part No: IUB154051431



Mounting dimension	249 mm + 20 mm min pull out						Total stroke	1431 mm	Max pressure	200 bar	
Extension	1	2	3	4	5	-	-	-	-	-	Number of stages: 6
Diameter (mm)	154	135	116	98	79	--	--	--	--	--	Total: 1431 mm
Stroke (mm)	287	285	285	287	287	--	--	--	--	--	Max thrust admitted: 163 kN
Thrust (kN)	373	286	211	151	98	--	--	--	--	--	Total: 21.6 L
Oil (L)	5.3	4.1	3.0	2.2	1.4	--	--	--	--	--	

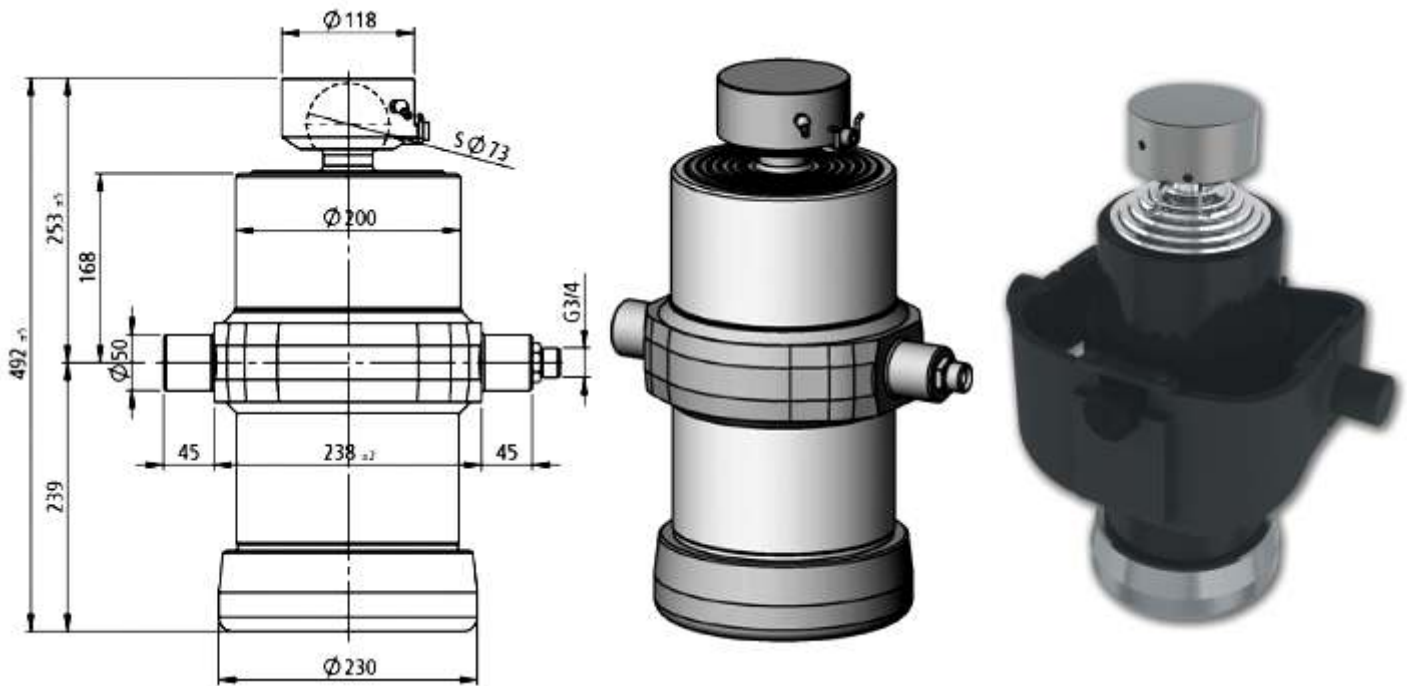
UB Cylinder



A New Horizon in Hydraulic Power

TECHNICAL SPECIFICATIONS

Part No: IUB174061590



Mounting dimension	253 mm + 20 mm min pull out						Total stroke	1590 mm	Max pressure	200 bar		
Extension	1	2	3	4	5	6	-	-	-	--	--	Number of stages: 6
Diameter (mm)	174	154	135	116	98	79	--	--	--	--	--	
Stroke (mm)	284	274	267	262	255	248	--	--	--	--	--	Total: 1590 mm
Thrust (kN)	476	373	286	211	151	98	--	--	--	--	--	Max thrust admitted: 163 kN
Oil (L)	6.8	5.1	3.8	2.8	1.9	1.2	--	--	--	--	--	Total: 21.6 L

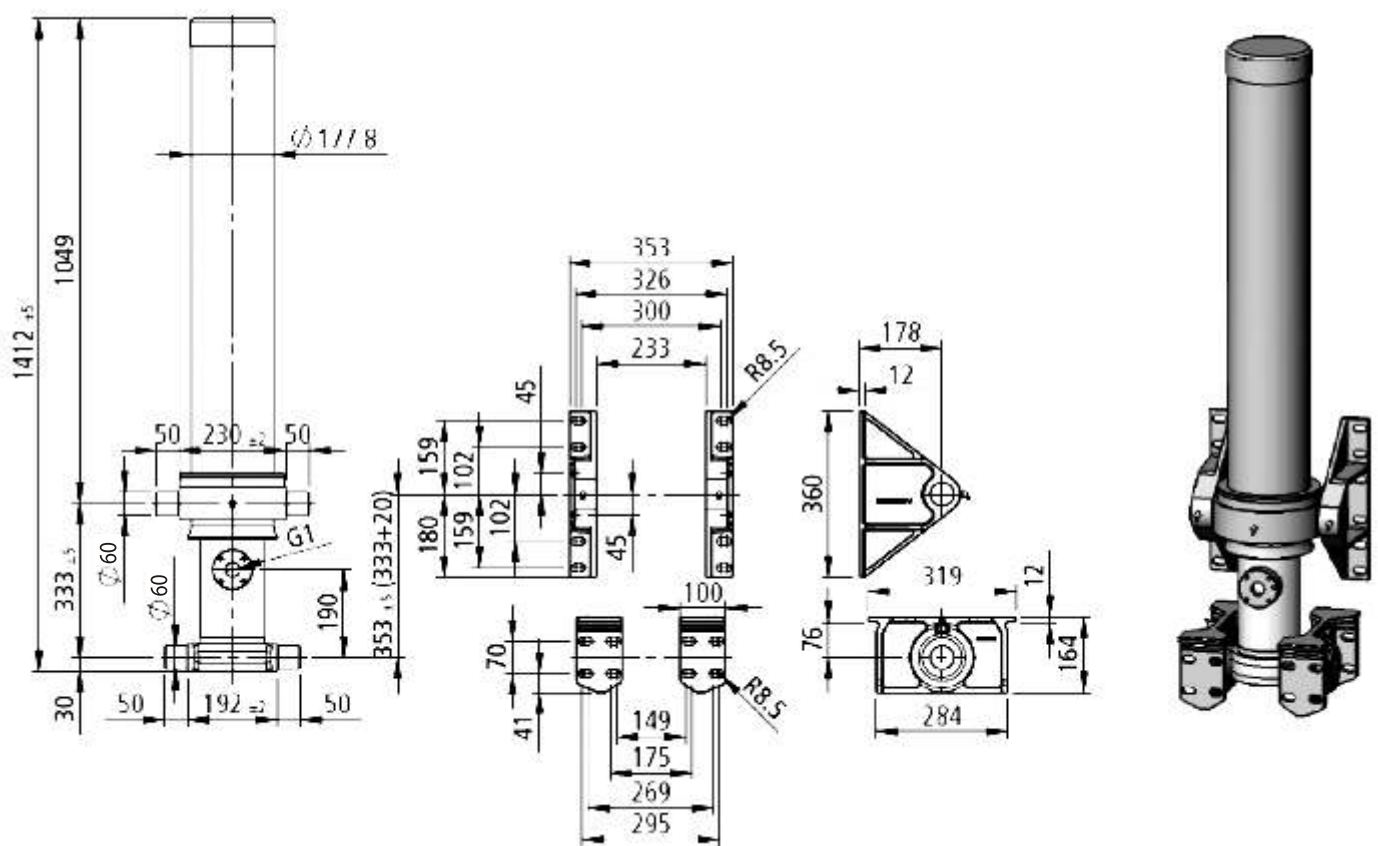
FC Cylinder



A New Horizon in Hydraulic Power

TECHNICAL SPECIFICATIONS

Part No: IFC116033215



Mounting dimension		1601 mm + 20 mm min pull out										Total stroke	3215 mm	Max pressure	200 bar
Extension	1	2	3	-	-	-	-	-	-	-	-	Number of stages: 3			
Diameter (mm)	116	98	79	--	--	--	--	--	--	--	--				
Stroke (mm)	1064	1072	1079	--	--	--	--	--	--	--	--	Total: 3215 mm			
Thrust (kN)	211	151	98	--	--	--	--	--	--	--	--	Max thrust admitted: 110 kN			
Oil (L)	11.2	8.1	5.3	--	--	--	--	--	--	--	--	Total: 24.6 L			

